

**TENADO®**

# TENADO®

## 4 TENADO

VERMAGSTRASSE 112

- Based in Bochum
- Established in 1987
- Specialized in CAD software solutions for various industries
- More than 60 employees

TENADO

TENADO®  
**CAD**

TENADO®  
**METALL**

TENADO®  
**HOLZ**

TENADO®  
**PROTECT**

TENADO®  
**TRAFFIC**

## Christopher Lind

Software Consultant

Metal Builder

TENADO GmbH, Bochum



TENADO PARTS by CADENAS  
for architects, planners  
and mechanical engineers

The screenshot displays the TENADO CAD 2D software interface. The main workspace shows a technical drawing of a centrifugal clutch (Fliehkraftkupplung) with various views and dimensions. The drawing includes a front view (Vorderansicht) and a cross-section (A-C). The front view shows a circular component with a spring and a central shaft. The cross-section shows the internal mechanism, including a spring and a central shaft. The drawing is annotated with various dimensions and labels, including 'A', 'B', 'C', 'D', 'E', 'Z', 'a', 'b', 'c', 'd', '1', '2', '3', '4', '5', '6', '7', '8', '9', '10', '11', '12', '13', '14', '15', '16', '17', '18', '19', '20', '21', '22', '23', '24', '25', '26', '27', '28', '29', '30', '31', '32', '33', '34', '35', '36', '37', '38', '39', '40', '41', '42', '43', '44', '45', '46', '47', '48', '49', '50', '51', '52', '53', '54', '55', '56', '57', '58', '59', '60', '61', '62', '63', '64', '65', '66', '67', '68', '69', '70', '71', '72', '73', '74', '75', '76', '77', '78', '79', '80', '81', '82', '83', '84', '85', '86', '87', '88', '89', '90', '91', '92', '93', '94', '95', '96', '97', '98', '99', '100'. The drawing is also annotated with 'geklebt' and 'D-E'. The software interface includes a toolbar on the left, a menu bar at the top, and a parts list on the right. The parts list includes the following information:

TENADO PARTS by CADENAS	
ANSICHT	
Hauptvariablen	
Nebenvariablen	
BD	Bezeichnung
ARTNR	Artikelnummer
BM	Bohrungsdurchmesser [mm]
A	a [mm]
l	l [mm]
BI	BI [mm]
N	n [mm]
TD	Traglast Spannager dynamisch C [kN]
TS	Traglast Spannager statisch C0 [kN]
GEW	Gewicht [kg]
ECCN	Zolltarifnummer
INFO	Infotext

At the bottom of the software window, there is a table with the following information:

Allgemeint	Datum	Name	TENADO GmbH
DIN ISO 2768-m	31.07.17	A. Meier	Vierhausstraße 112
Gez.			D - 44807 Bochum
Gepr.			

Below the table, the drawing is titled 'Fliehkraftkupplung' and '3.06'. The software interface also shows a 3D view of the part on the right side of the window.

# The traffic planning software

TENADO PARTS by CADENAS  
for traffic planners, urban planners  
and the movie industry

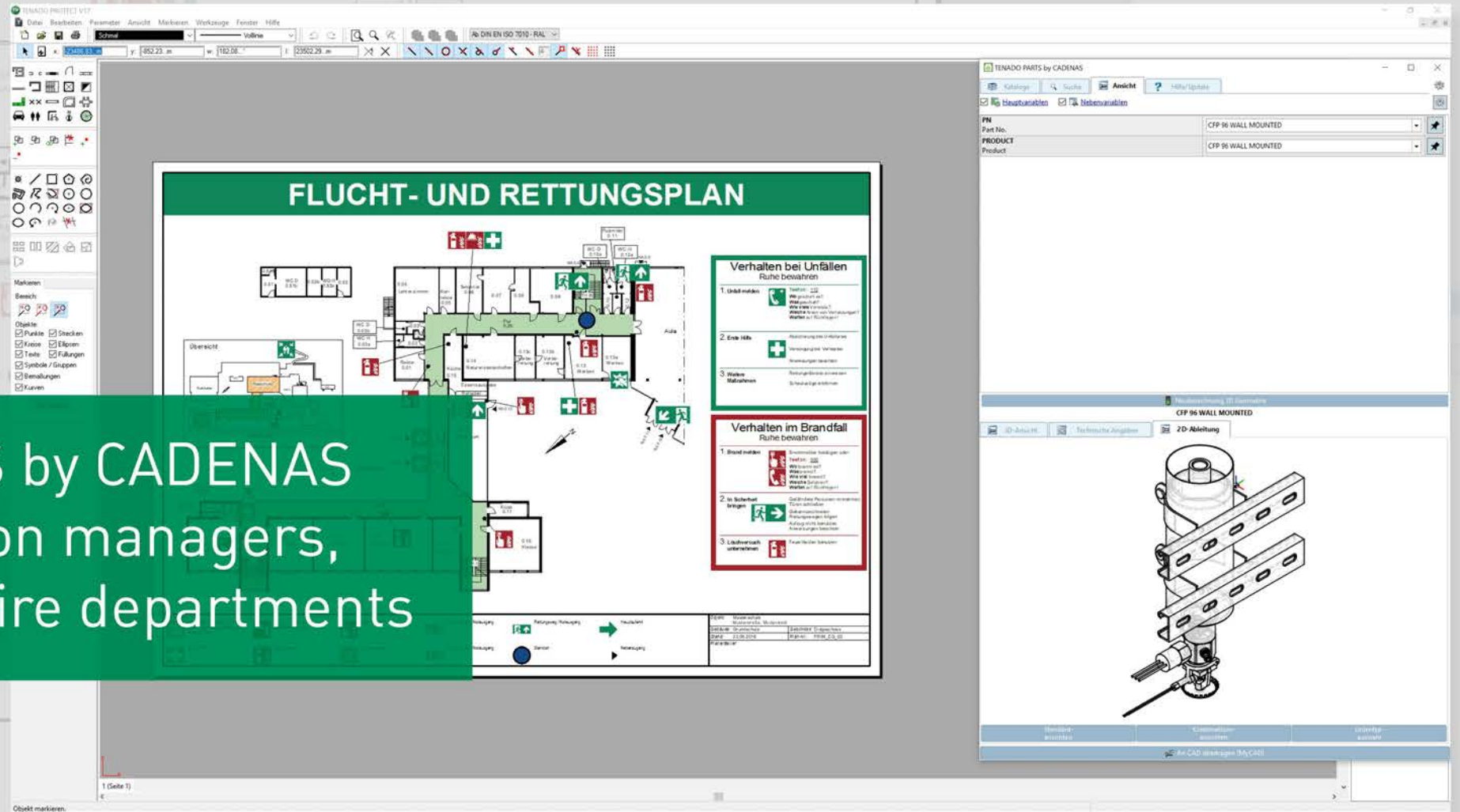
The screenshot displays the TENADO TRAFFIC V17 software interface. The main window shows a 3D aerial view of a road network with various traffic flow indicators, including red arrows and circular markers. A yellow box highlights a specific road section labeled 'Bauebschnitt'. Below the 3D view, there is a 2D technical drawing of a road layout with lane markings and dimensions.

On the right side, there is a 'TENADO PARTS by CADENAS' panel with the following data:

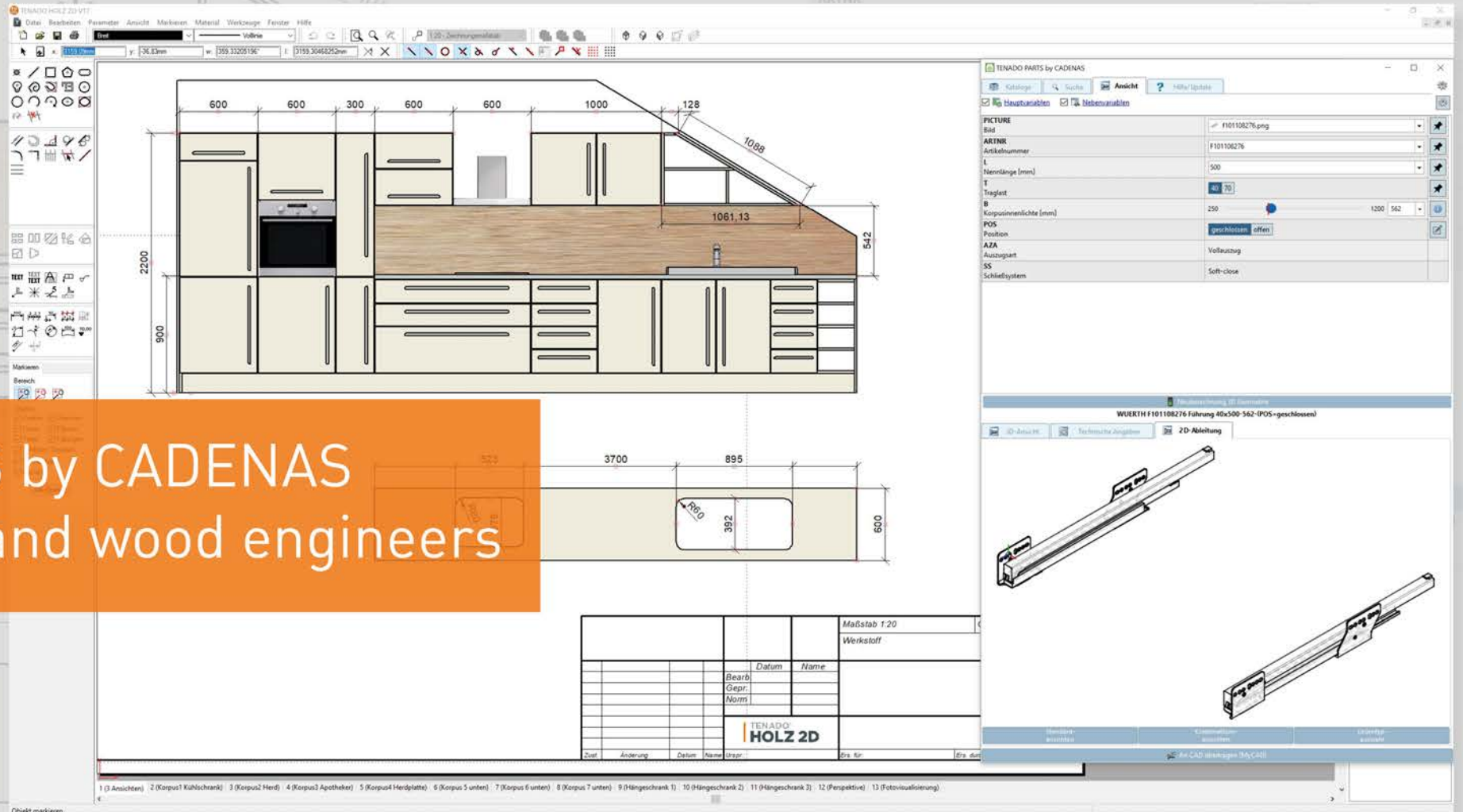
OC	Ca2
Order code	
LODDEST	
LOD Destination	Mechanical Architecture
RP	
RGB code for Red color	0
GP	0
RGB code for Green color	0
BP	0
RGB code for Blue color	0

At the bottom of the interface, there is a title bar for 'Umleitungskonzept Sperrung 27.01 - 29.01 2015' and a 'TENADO TRAFFIC' logo. The bottom status bar shows '1 (Bauebschnitt 1) 2 (Bauebschnitt 2) 3 (Bauebschnitt 3) 4 (Bauebschnitt 4)'.

TENADO PARTS by CADENAS  
for fire protection managers,  
architects and fire departments



# The design software for wood construction



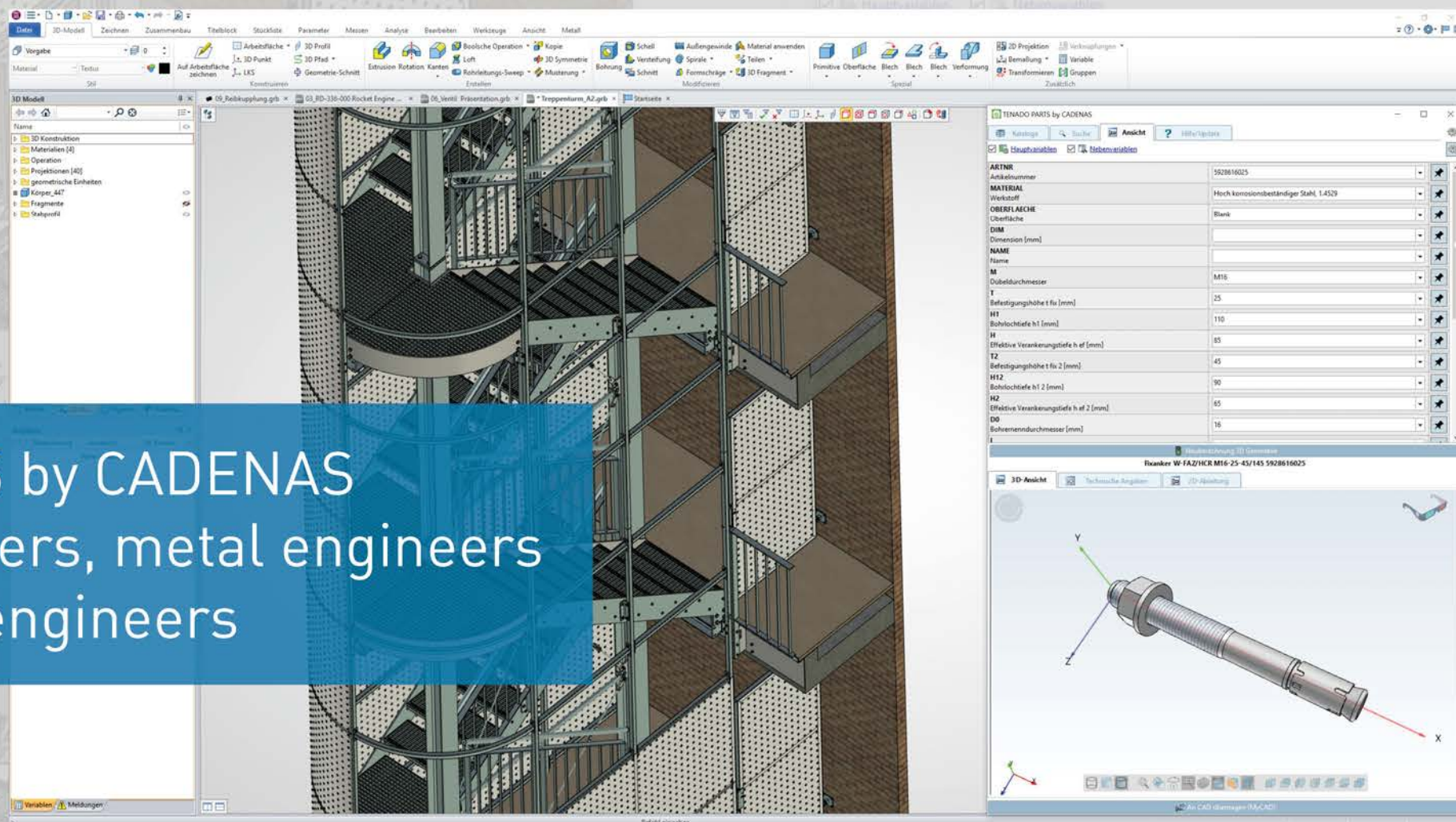
TENADO PARTS by CADENAS  
for carpenters and wood engineers

TENADO PARTS by CADENAS  
for metal engineers,  
steel engineers and designers

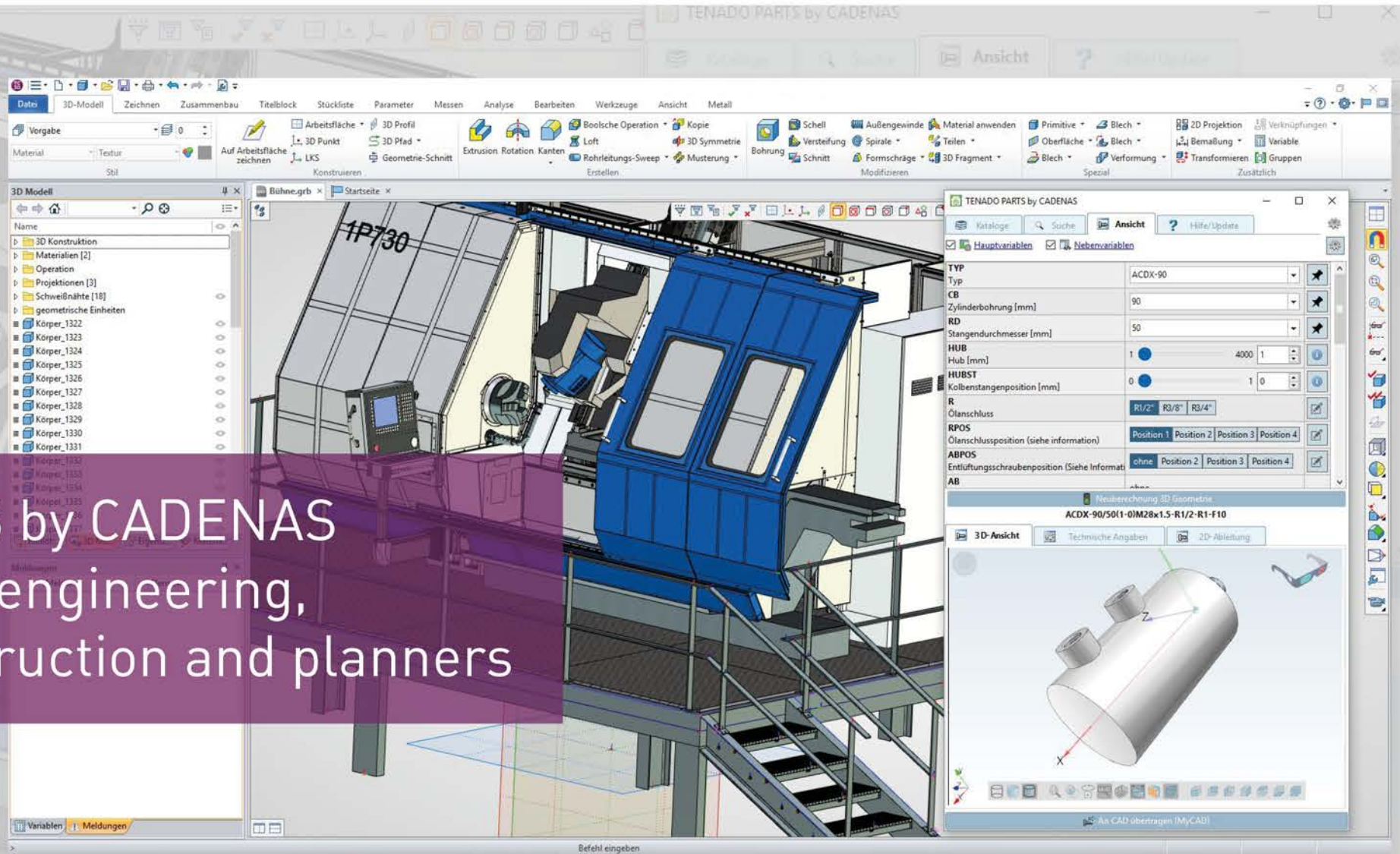
The screenshot displays the TENADO METALL 2D V17 software interface. The main workspace shows a 2D technical drawing of a metal railing system. The drawing includes a plan view on the left with dimensions 4000 (width) and 2000 (height), and a side elevation on the right with a width of 1173.4. Below the main drawing is a detailed view of a railing section with dimensions 150, 130, and 100.94. The software interface includes a menu bar (Datei, Bearbeiten, Parameter, Ansicht, Markieren, Material, Werkzeuge, Fenster, Hilfe), a toolbar, and a left-hand panel with various tool icons. On the right side, there is a 'TENADO PARTS by CADENAS' window showing a parts list for 'W-B5/S Typ ST'. The parts list includes fields for 'Bezeichnung', 'ARTNR', 'Artikelnummer', 'MATERIAL', 'Werkstoff', 'OBERFLÄCHE', 'Oberfläche', 'M', 'Dübelgröße', 'T', 'Befestigungshöhe t fix1 [mm]', 'T2', 'Befestigungshöhe t fix2 [mm]', 'T3', 'Befestigungshöhe t fix3 [mm]', 'L', 'Gesamtlänge L [mm]', 'H', 'Länge des Dübels im Beton h nom1 [mm]', 'H2', 'Länge des Dübels im Beton h nom2 [mm]', 'H3', 'Länge des Dübels im Beton h nom3 [mm]', 'DØ', 'Bohrerenddurchmesser dØ [mm]', and 'H1'. The parts list shows values for these fields, such as '5929186000', 'Stahl', 'Verzinkt', '6', and various length values. Below the parts list, there is a 'Neuberechnung 3D Geometrie' window showing a 3D model of a concrete screw. At the bottom right, there is a table with columns 'Datum' and 'Name', and a 'Maßstab' column. The table contains rows for 'Bearb.', 'Gepr.', and 'Norm'. The software interface also shows a 'Blatt' (Sheet) section at the bottom right.

Datum	Name	Maßstab
Bearb.		
Gepr.		
Norm		



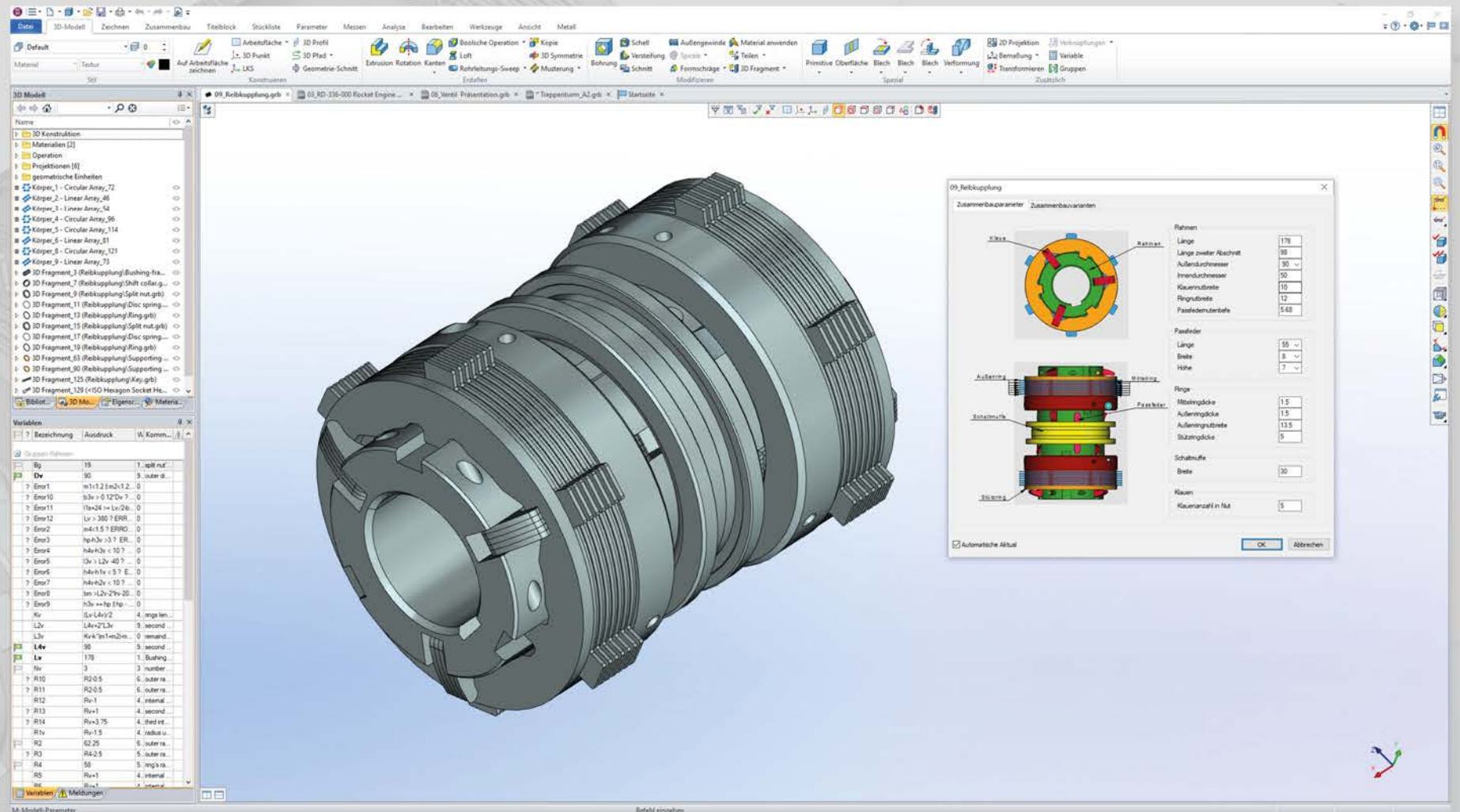


TENADO PARTS by CADENAS  
for steel engineers, metal engineers  
and structural engineers

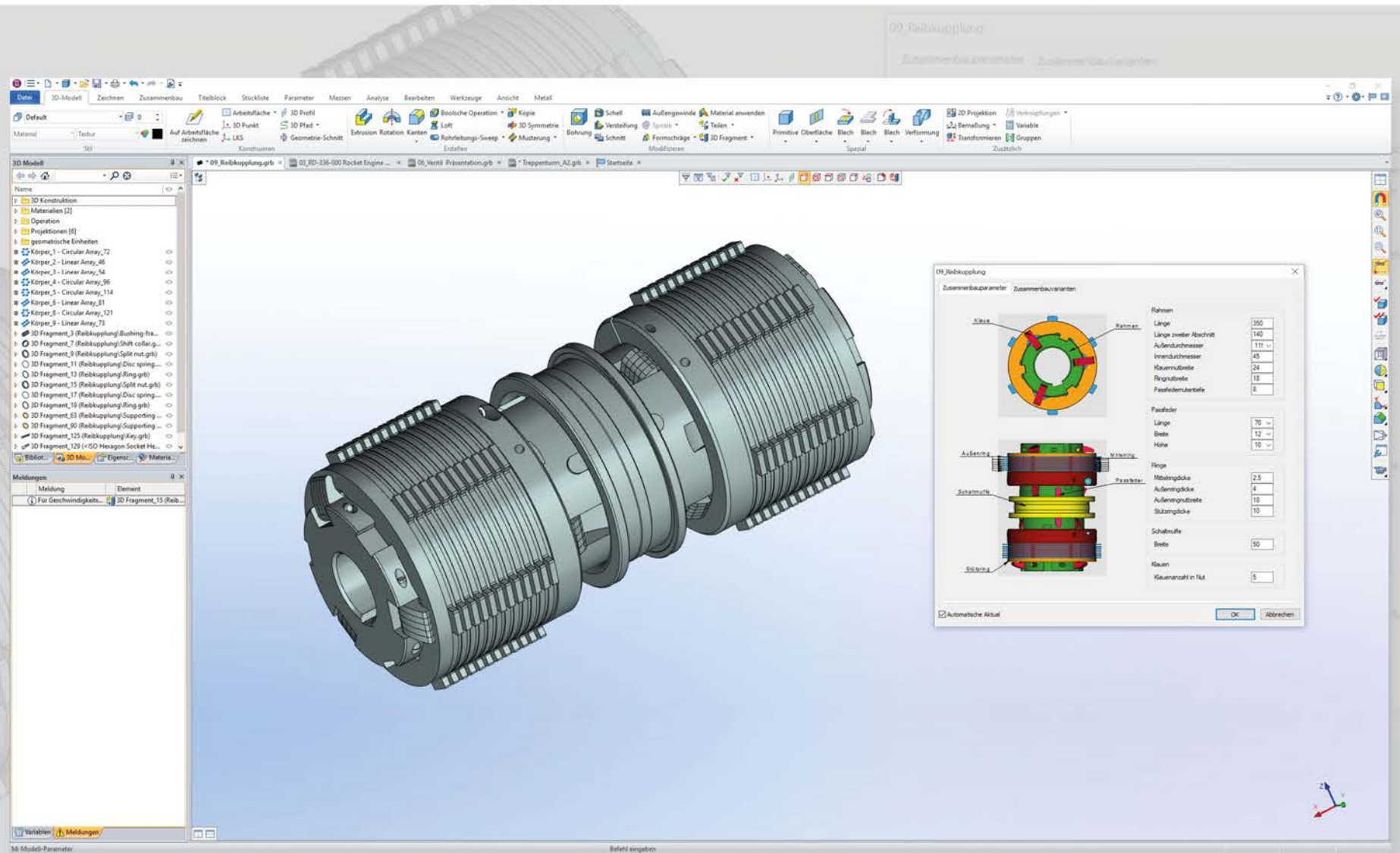


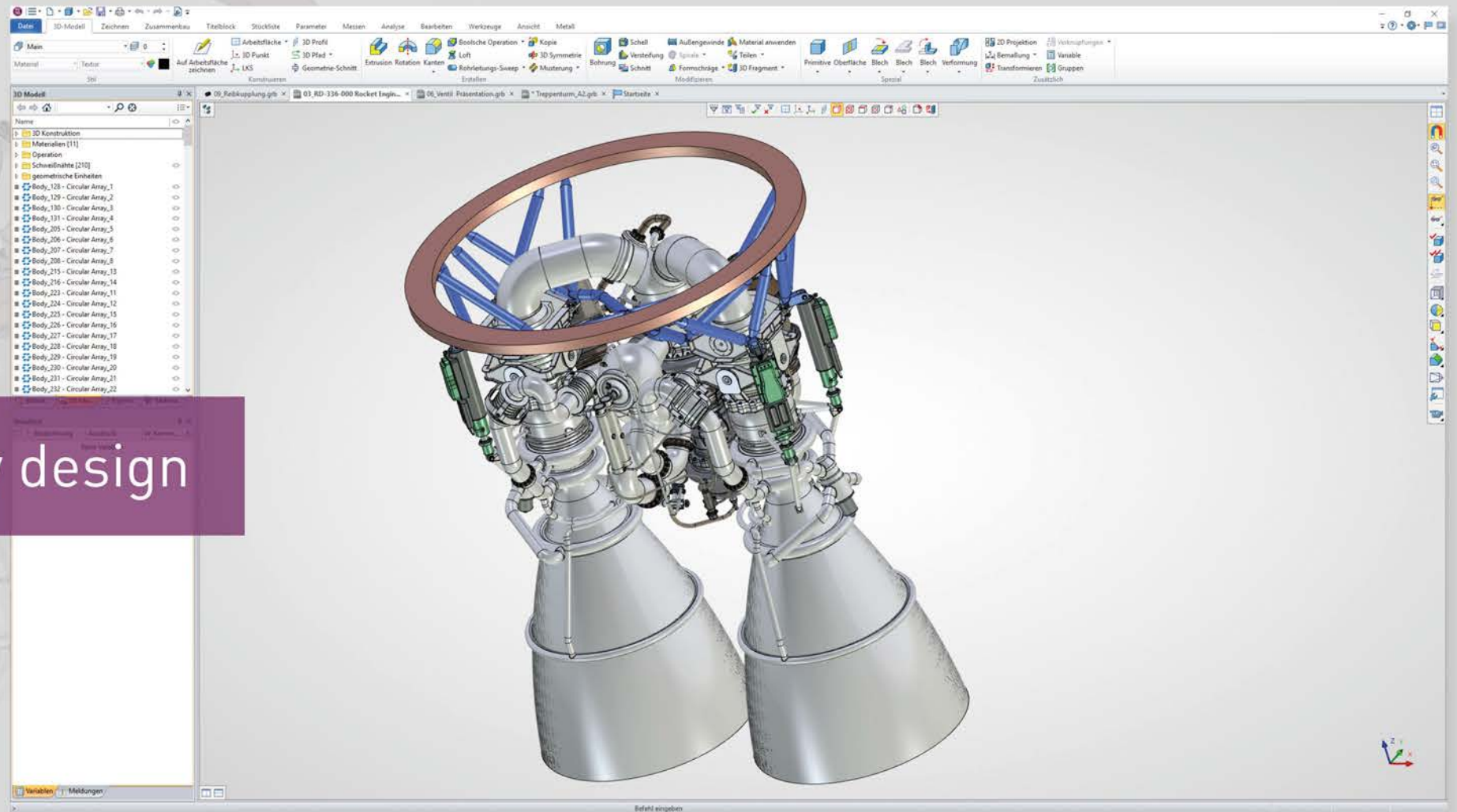
TENADO PARTS by CADENAS  
for mechanical engineering,  
prototype construction and planners

Parametric modelling



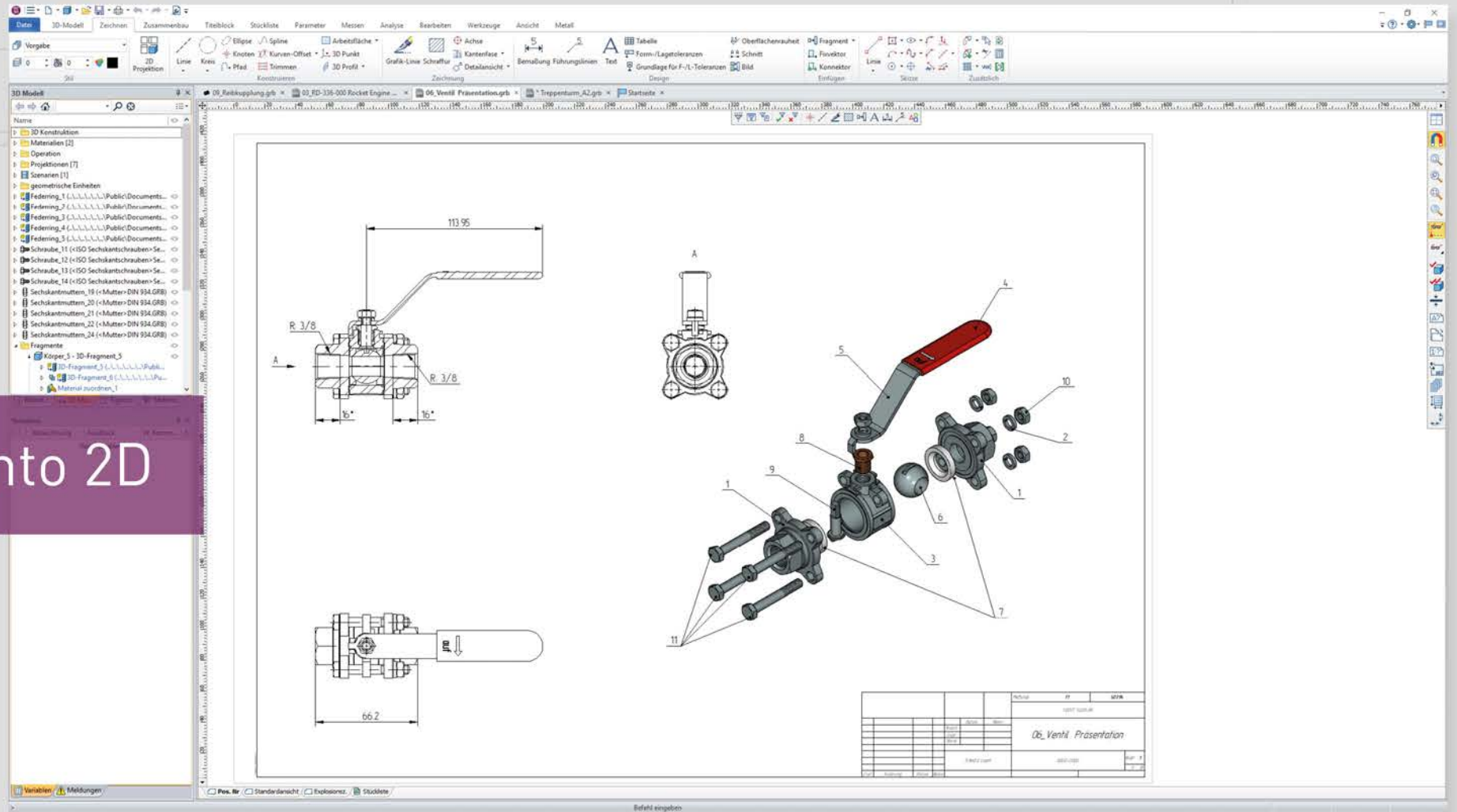
Parametric modelling





Large assembly design

Converting 3D into 2D



# The professional 3D-design software

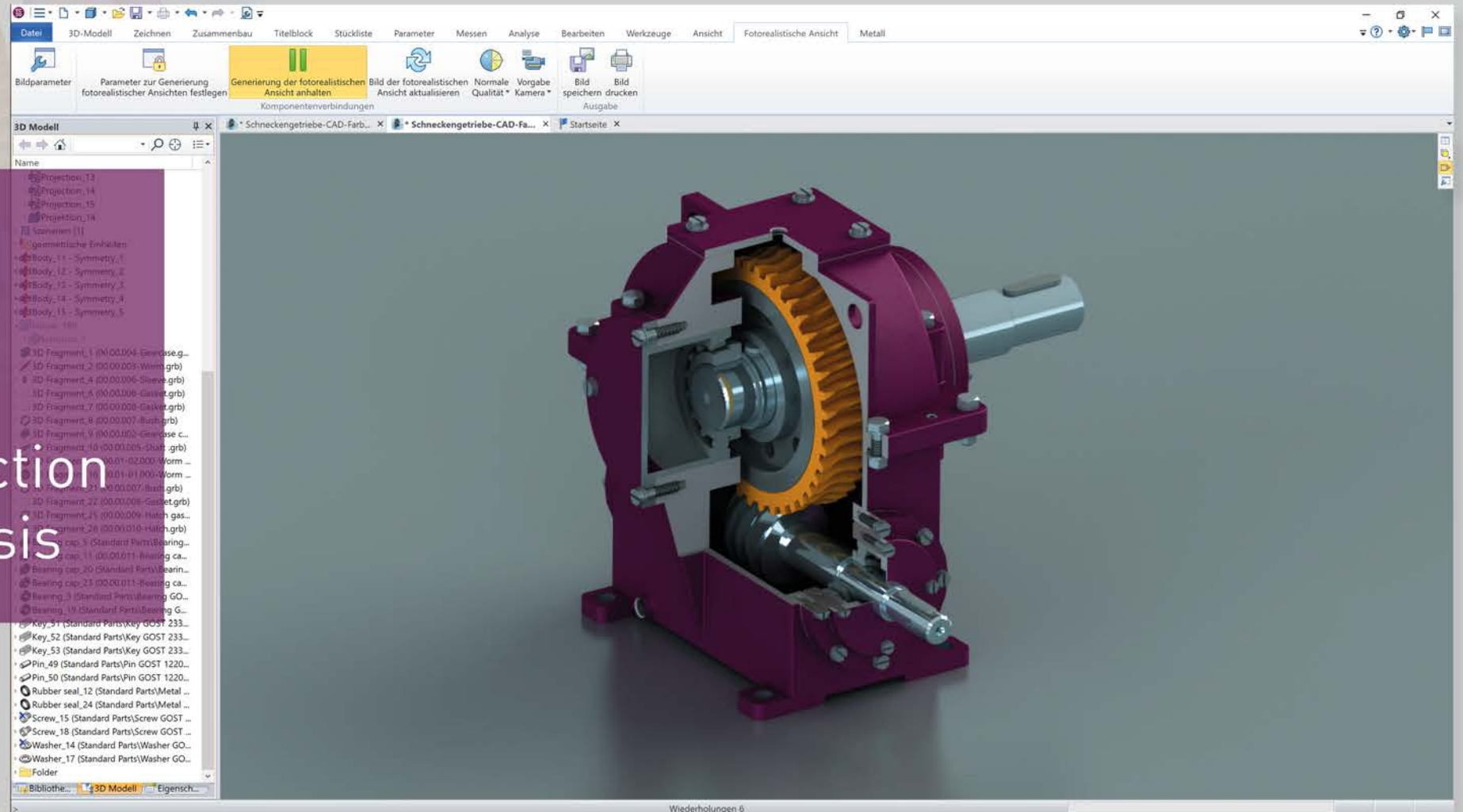
Part lists

The screenshot displays the TENADO CAD 3D software interface. On the left, a tree view shows the 3D model structure, including materials, operations, projections, and various components like screws and nuts. The main workspace shows a 3D model of a mechanical assembly. On the right, a part list table is generated, listing 11 items with their positions, quantities, names, and specifications.

Pos.	Menge	Einheit	Bezeichnung	Zeichner/Name-Kurzbezeichnung	Bemerkung
1	2		Anschlussmutter	0000-0000	
2	5		Federring	0000-0000	
3	1		Flanschbauteil	0000-0000	
4	1		Gummiberzug	0000-0000	
5	1		Hebel	0000-0000	
6	1		Kugel	0000-0000	
7	2		Kugeldichtung	0000-0000	
8	1		Kupferschraube	0000-0000	
9	1		Stellschraube	0000-0000	
10	5		Sechskantmutter	DIN 934	M6-8-A
11	4		Sechskantschraube	ISO 4014	M6x45

Below the table, there is a section for 'Material' and 'Menge' with values '10034' and '10037 (G25.9)' respectively. At the bottom, there is a section for 'Datum' and 'Name' with values '04.10.14' and 'Präsentation' respectively. The interface also shows a 'Bibliothek' (Library) section with '3D Modelle' and 'Eigenschaften' (Properties) tabs, and a 'Variablen' (Variables) section with 'Keine Variablen' (No variables).

- Interfaces
- Rendering
- Kinematics
- Collision detection
- Express analysis





# TENADO®

## Your CAD software solution

Let's have a look!

